

4 CH. POE SWITCH

MSBE-6006FTE2-CX



Cx Series CX SERIES	PoE IEEE 802.3AF CLASS 2	PoE 15.4 W / 30.0 W	AC 100/240V 50/60 HZ	OPERATING TEMP. C: 0° ~ 55° F: 32° ~ 104°	APPROVED CE / FCC CERTIFIED	IND. STANDARD 19" RACK MOUNT	4KVA LIGHTNING PROTECTION	600 FEET DISTANCE IP CAMERA MODE	TWO UP LINK IP CAMERA + NVR + NET	VOIP PHONE WIFI AP UNIVERSAL USE
-------------------------------	---------------------------------------	----------------------------------	--------------------------------	--	--	---	--	---	--	---

MSBE-6006FTE2-Cx

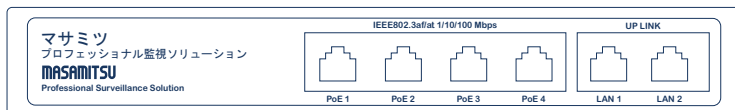
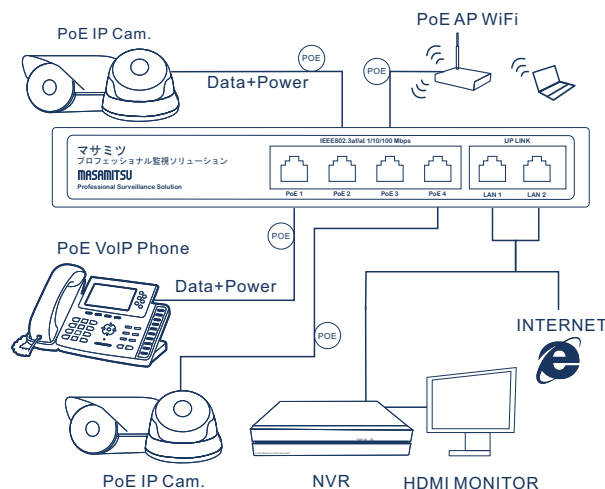
- 4 port PoE Output Support 10/100 Mbps.
- Support two uplink port up to 100 Mbps
- 10BASE-T or 100BASE-TX RJ45 port of Ethernet
- Support IEEE 802.3X Full-Duplex and Back pressure Half-Duplex.
- Intelligent power management.

- Automatic detected and recognition of PoE demand, speed, duplex and Uplink cable, simple and convenient, without configuration, plug and play.
- The PoE switch designed for commercial network, simplify the wireless access point (AP) and network camera installation based on network.

4 CH. POE SWITCH

MSBE-6006FTE2-CX

MASAMITSU
SECURITY TECHNOLOGY OF JAPAN

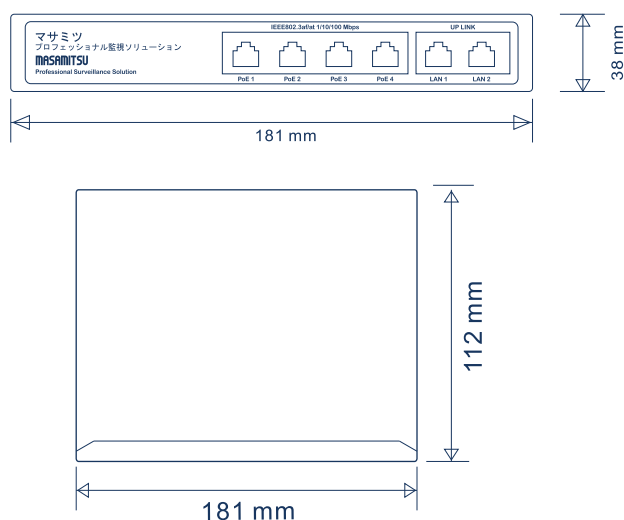


- The Max distance of power supply is 600 feet. (IPC Mode)
- Adaptive 6 RJ45 10/100M port, 4 port Support PoE Output.
- All port support auto MDI/MDIX, auto negotiation, Store and forwarding and port isolation.
- Support two 10/100 Mbps uplink port.
- Support IEEE 802.3X Full-Duplex and Back pressure Half-Duplex.
- Support IEEE802.3af/at standards, can provide 15.4W/30W per port.
- Automatic detection and recognition device in accordance to IEEE 802.3af/at.
- Intelligent power management. if equipment exceeds the standard power, switch will shut down this port automatically and re-examine power supply after every 2 minutes.
- Low power consumption without fan, metal housing for heat dissipation.
- The PoE switch support IEEE802.3af/at, advanced sensing algorithm, for the terminal device which support the IEEE802.3af/at PoE standard, new automatic detection technology inside can prevent damage to private standard PoE or non-PoE devices.
- Automatic detected and recognition of PoE demand, speed, duplex and Uplink cable, simple and convenient, without configuration and plug and play.
- The PoE switch designed for commercial network, simplify the wireless access point (AP) and network camera installation based on network.
- The connection from the power supply equipment is more flexible, simplified wiring and extensible. MASAMITSU is the right choice for small business network of PoE deployment or wireless access point (AP) and IP camera.

TECHNICAL SPECIFICATIONS

Product Specification	MSBE-6006FTE2-Cx PoE Port (1~4) / 10/100 Mbps
Network Interface	10/100 Mbps up Link(5-6) / LAN 1-2
Transmission Rate	100Mbps Full Duplex; 10 or 100Mbps Half Duplex
Performance & Specification	Network Interface : 10BASE-T or 100BASE-TX RJ45 port of Ethernet
	Network Latency(10 to 1000Mbps): 20μs (use the 64 byte package size)
	Mac address table : 1K
Networking Standard	Total Bandwidth 1.5 Gbps
	The Frame Filter & Transmission Rate : 1.2 Mpps
	IEEE 802.3i 10BASE-T
PoE Core Of Power Cable	IEEE 802.3u 100BASE-TX / IEEE 802.3ab 1000BASE-TX
	IEEE 802.3x FlowControl
	IEEE 802.3af/at Power over Ethernet
LEDs Light	Default: 1/2(+), 3/6(-); (Can Be Selected 4/5(+), 7/8(-))
Power Support	PWR Light always on
	Power input: AC 100~240V
	PoE port, 1/2 (+52V), 3/6 (GND.)
Working Environment	Operating Temperature: C-10° ~ 55° (F-14°~104°)
	Storage Temperature: C-40° ~70° (F-14°~104°)
	Operating Humidity: 10%~90% non-condensing
	Storage Humidity: 5%~90% non-condensing
Electromagnetic Compatibility	CE mark
	FCC Part 15, Class B
	VCCI Class B EN 55022 (CISPR 22)
Physical Specifications	C-Tick
	Size(L*W*H) 181mm*112mm*38mm
Weight	650 g.
Warranty	1 year
Package Content	AC Power Cable, Installation Manual, Warranty Card

DIMENSIONS



The above mentioned technical drawings are for reference only.

Masamitsu Technologies may, at any time and without notice, make changes or improvements to the products and services offered and/or cease producing or commercializing them. The Masamitsu logo and trademark are properties of Masamitsu Technologies.

Authorised Dealer / Representative.